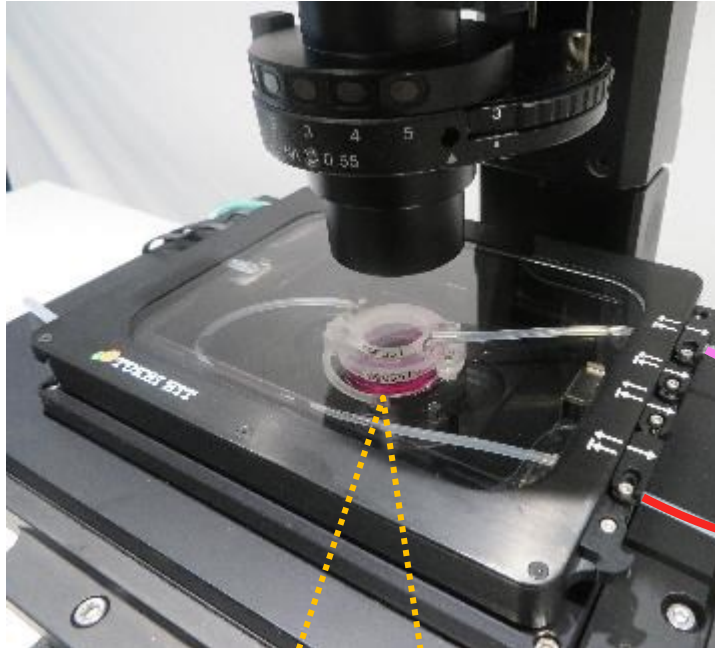




KSX-TYPE 1 SIMPLE MEDIA EXCHANGE SYSTEM

System overview KSX-Type1

*Chamber unit



b) Media Exchange Lid



a) Controller



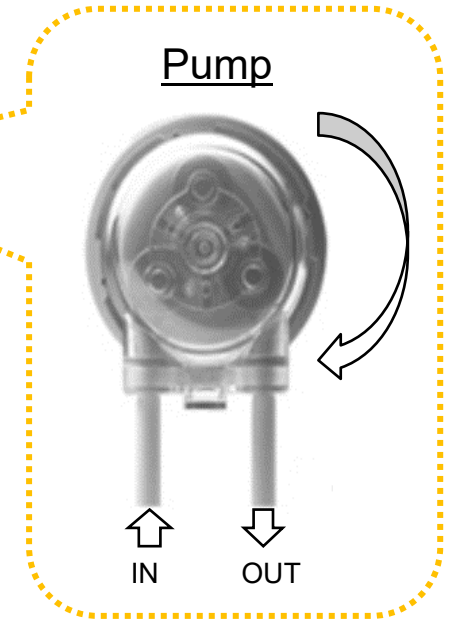
c) Media (OUT) Tube

d) Media (IN) Tube

*Waste bottle

e) Media bottle







(autoclave possible)



Specification:

- ❑ Flow rate (Media IN/OUT): 0.6~5.0 ml/min
- ❑ Silicone tube : OD3mm / ID1mm

System components

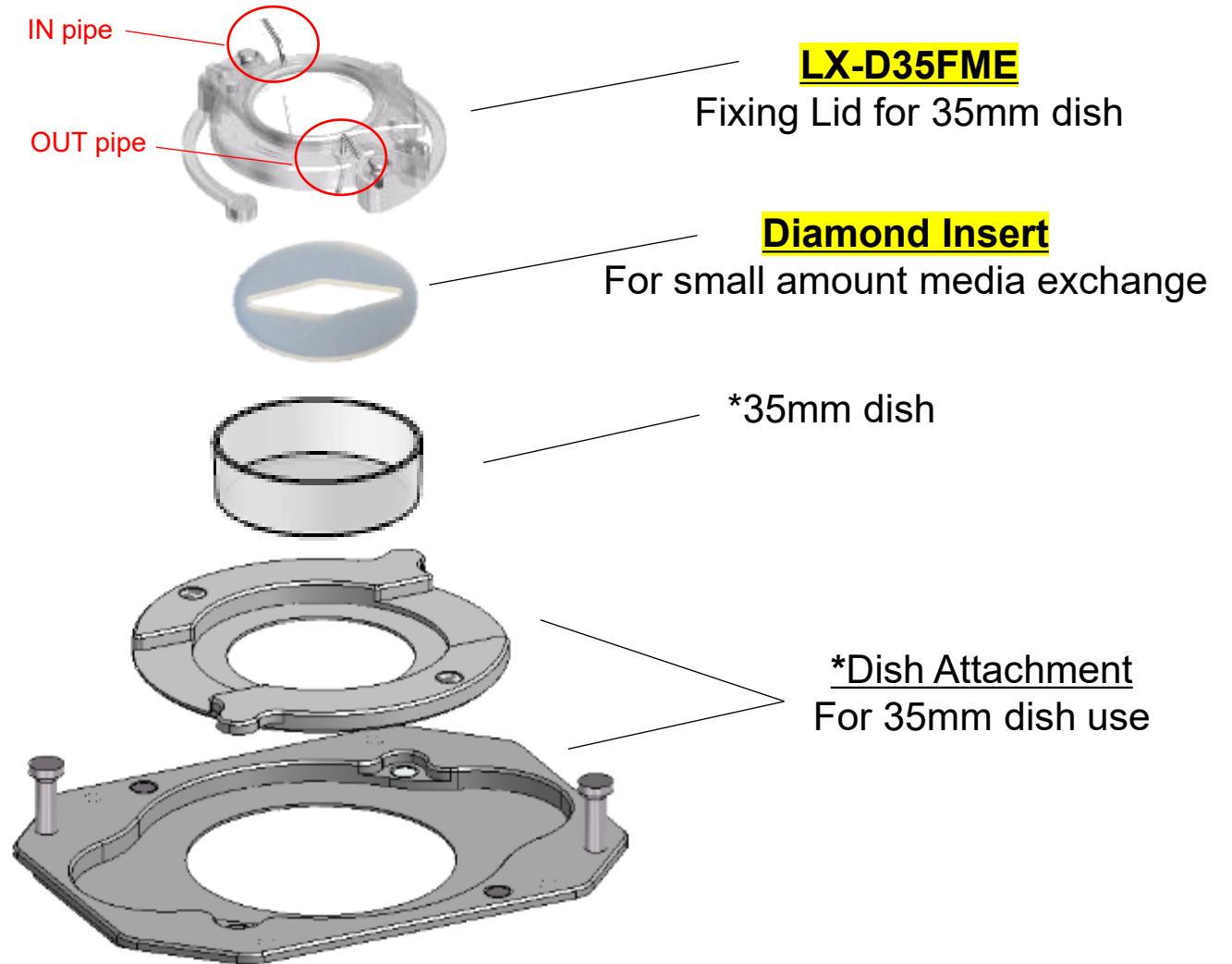
Name	Qty	Image	Disposal
Controller Unit Incl. Tube Pump x2pc	1		○ (Peristaltic Tube)
Glass Bottle (for the fresh media) Incl. filter with silicon tube 50.0mm	1		○
Media Exchange Lid LX-D35FME	1		○
Diamond Insert KS-DIA (approx. volume: 100μml)	1		○
OD3 x ID1 x L1650mm silicon tube	2		○
OD3 x ID1 x L600mm silicon tube	2		○

Media Exchange Lid (35mm dish)

KSX-Type 1 is simple media exchange/perfusion system for single 35mm dish.

The Media Exchange Lid can be used general 35mm dish from the market. Simply mount it over the vessel and adjust the pipe height for its application.

With the Diamond insert, it can support least medium amount (Approx. 100 μ ml) for quick and practical perfusion.



*Does not include the system.